



# DFRC series

Desiccant air dehumidifier





**With protective frame and roof for movable or temporary applications**



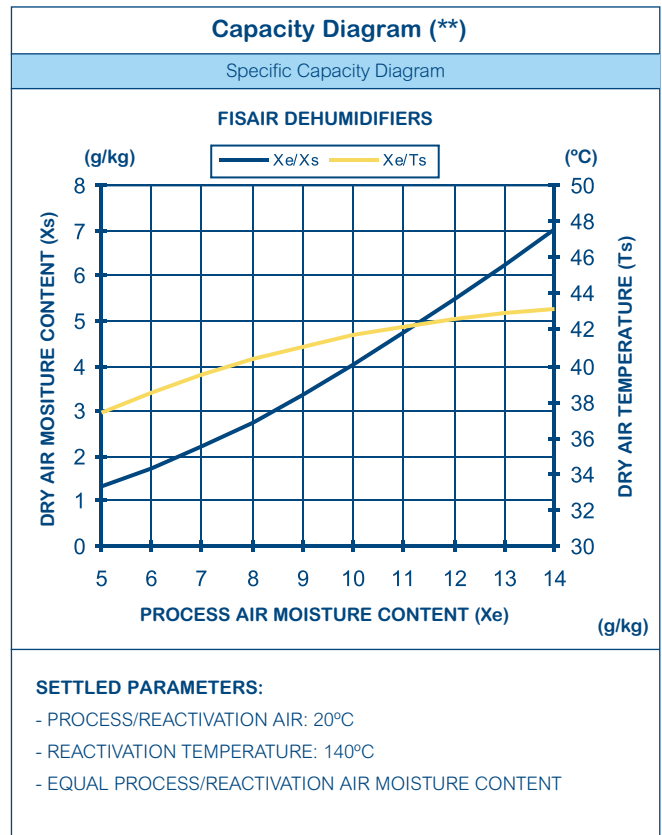
DFRC-2100

DFRC serie technical information				
Model	Nominal Airflow	Heater Power	Total Power	Nominal Drying Capacity (*)
	m <sup>3</sup> /h	kW	kW	
DFRC-0175	1.200	13.5	14.6	9.1
DFRC-0300	2.100	22.5	25.8	14.3
DFRC-0400	2.700	27	30	18.8
DFRC-0500	3.600	36	39.3	24.6
DFRC-0650	4.500	45	49.2	29.7
DFRC-0651	5.000	54	60.5	36
DFRC-0900	6.000	63	70.1	41
DFRC-1100	7.500	81	88.8	52.2
DFRC-1300	9.000	99	108.8	64.8
DFRC-1700	12.000	126	141.1	85
DFRC-2100	15.000	162	182.6	106.2

(\*) Nominal capacity: 20°C y 60% H.R.

(\*\*) Capacity diagram for DFRC-1300-E model with the specified settled parameters.

Other models capacities to be furnished under request.

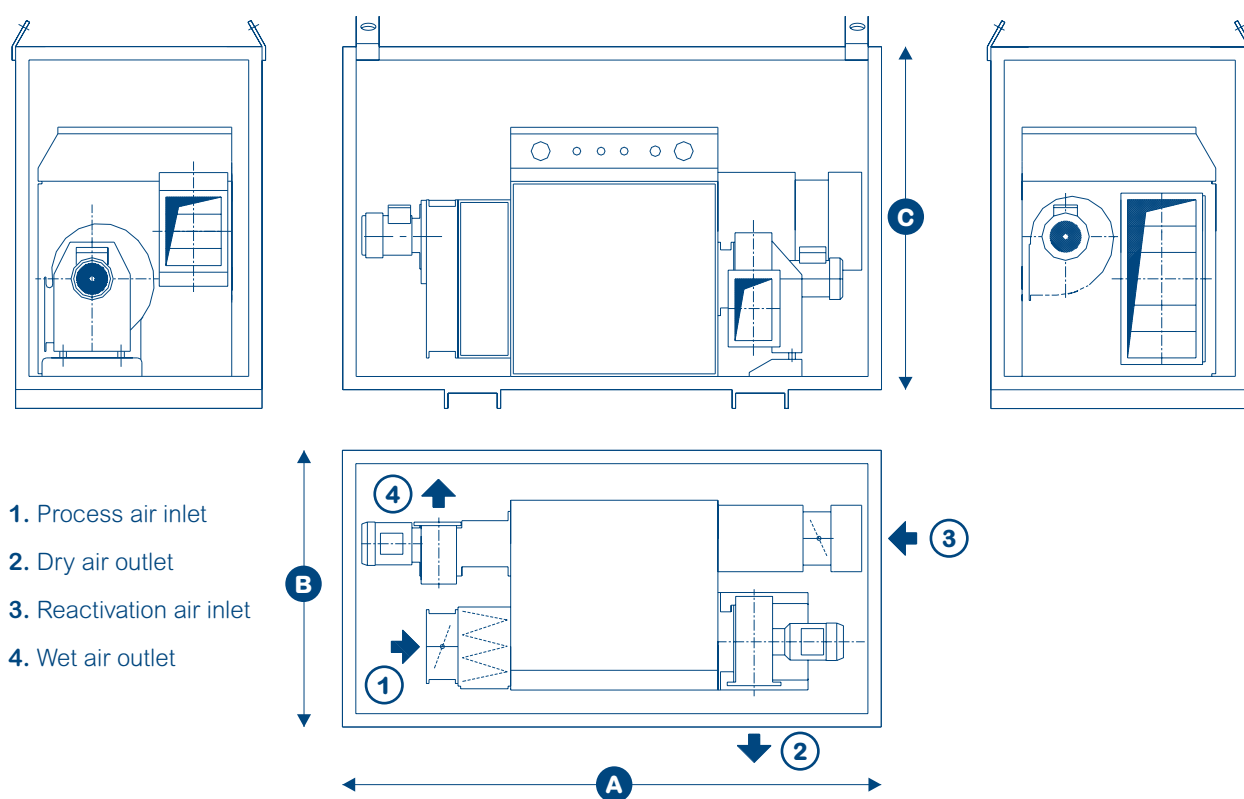


## DFRC series

Air dehumidifier by silicagel desiccant rotor, brand FISAIR, model DFRC-0000-E, manufactured in a self-supporting and compact unit with protective frame and roof made of steel tube/sheet.

Complete with fans, airfilters, dampers for airflows regulation, reactivation air heater and electric control box for outdoor application.

Performances and power requirements as stated into front table.



1. Process air inlet
2. Dry air outlet
3. Reactivation air inlet
4. Wet air outlet

Model	Main Dimensions (mm)			
	A	B	C	Aprox. Weight (Kg)
DFRC-0175	2000	950	1215	285
DFRC-0300	2000	950	1215	300
DFRC-0400	2000	1100	1415	350
DFRC-0500	2000	1100	1415	400
DFRC-0650	2350	1300	1710	515
DFRC-0651	2350	1300	1710	525
DFRC-0900	2350	1300	1710	570
DFRC-1100	2530	1600	2035	930
DFRC-1300	2530	1600	2035	990
DFRC-1700	3300	2000	2220	1750
DFRC-2100	3300	2000	2220	1820



## DFRC series

Desiccant air dehumidifier



**fisair**  
air humidity control 

 **ACCUBEL**  
HVAC SOLUTIONS | RENEWABLE ENERGY

Industriestrasse 28 | B-4700 EUPEN

T +32 (0)87 59 16 50 | F +32 (0)87 59 16 55

E-mail: [info@accubel.be](mailto:info@accubel.be) | Internet: [www.accubel.be](http://www.accubel.be)

